

## NAMUR VALVE SOLENÓIDE NEMA 4 AND NEMA 7



(NEMA 4 Pictured)

### Features and Benefits

The Max-Air NAMUR series solenoid valve is a revolution in design.

Featuring an electroless nickel plated spool, easy-to-use manual override, a uniquely design air pressure \*pop up indicator, and the fact that each solenoid valve is field convertible for use on either double acting (4 way) or spring return (3 way) actuators, you will be way ahead of your competition.

Each solenoid valve is available in single coil (SV61), dual coils (SV62) or 3 positions configuration (SV3P) and can be used on either lubricated or non-lubricated air.

\* The Max-Air exclusive "pop-up" air indicator is a benefit-rich feature which provides for a quick check to verify if the solenoid valve is pressurized or not.

### Technical Data

#### Port connections

Inlet and exhaust	1/4" NPT
Outlet	NAMUR interface
DIN connector	1/2" NPT

<b>Pressure Range:</b>	30 to 150 PSI
<b>Flow factor:</b>	10.5 Cv
<b>Media Temperature:</b>	-4°F +158°F
<b>Response Time:</b>	On: 13 ms; Off: 38 ms (@ 90 PSI)

<b>Operating Voltages</b>	12 V DC, 24 V DC 24 V AC, 48 V AC 110 V AC, 220 V AC
---------------------------	--

<b>Voltage Tolerance:</b>	± 10%
<b>Power Consumption:</b>	DC: 6 W AC: 7.5 VA inrush, holding 6 VA

<b>Coil Insulation Class:</b>	Class F standard Class H optional NEMA 7 available
-------------------------------	--

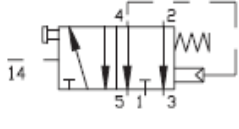


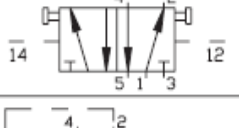
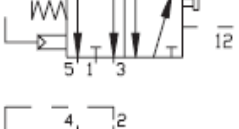

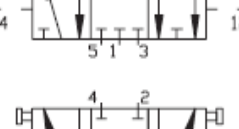
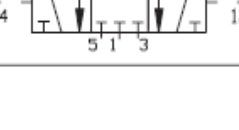
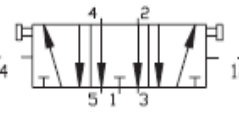

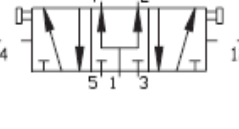

<b>Duty cycle:</b>	100% ED
<b>Max operating frequency:</b>	600/1'
<b>Protection Class:</b>	NEMA 4 (pictured) NEMA 7

### Material

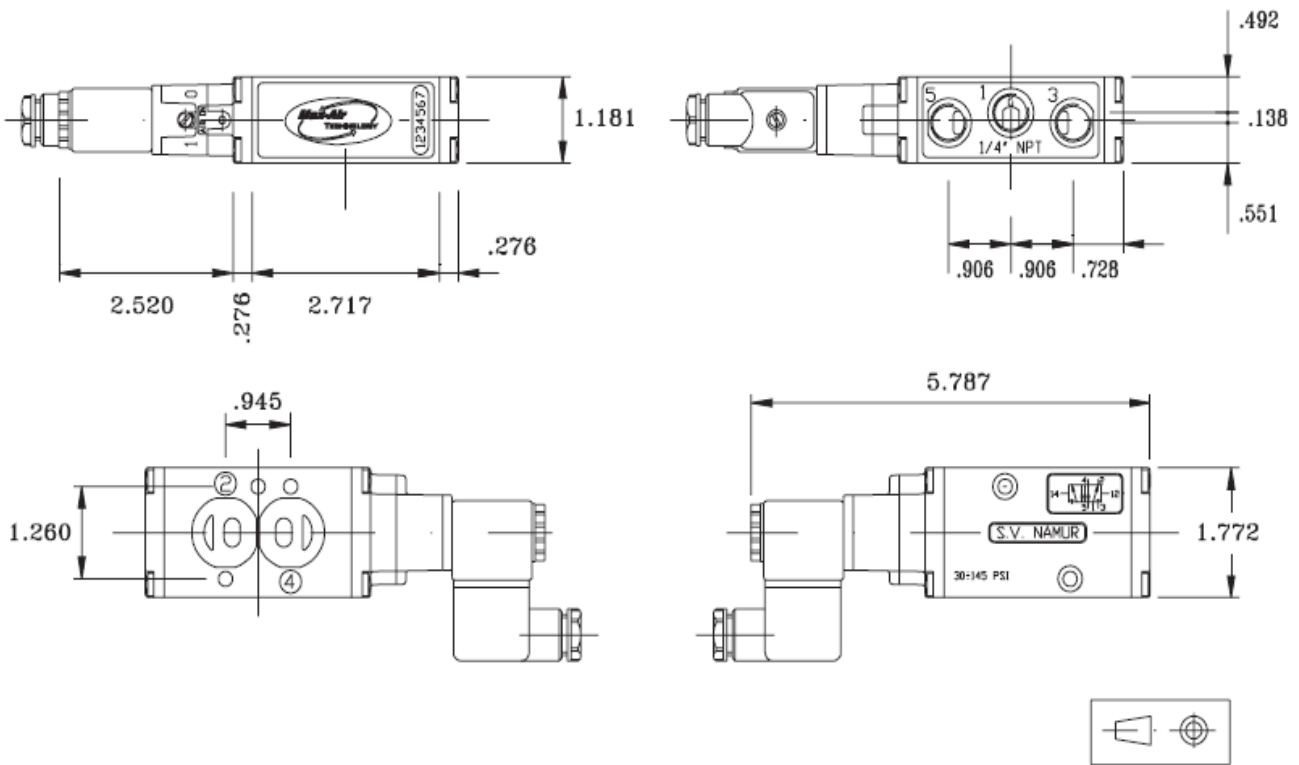
<b>Body:</b>	Epoxy coated die cast aluminum
<b>Spool:</b>	ENP aluminum
<b>Piston:</b>	Aluminum
<b>Spring:</b>	Stainless Steel
<b>Seal:</b>	Buna-N
<b>Screws:</b>	Stainless Steel
<b>Other components:</b>	Technopolymer



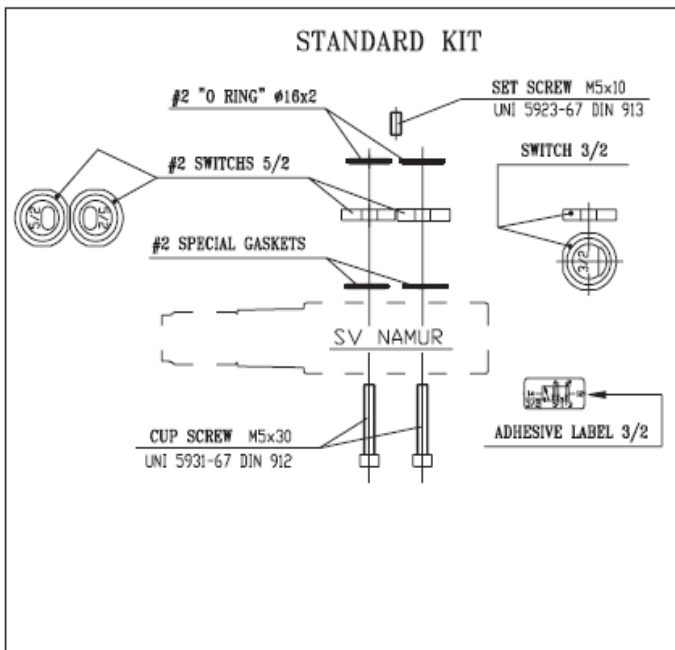
## “NAMUR” SOLENÓIDE VALVE

SYMBOL	DESCRIPTION	CODE	
		1/4" NPT	
	SOLENOID VALVE MONOSTABLE 3/2-5/2 LEFT PILOT NEMA 4	SV61-*****	
	SOLENOID VALVE MONOSTABLE 3/2-5/2 LEFT PILOT EExi	SV71-*****	
	SOLENOID VALVE MONOSTABLE 3/2-5/2 LEFT PILOT EExm	SV81-*****	
	SOLENOID VALVE MONOSTABLE 3/2-5/2 LEFT PILOT NEMA 7	SV91-*****	
	PNEUMATIC VALVE MONOSTABLE 3/2-5/2 PNEUMATIC LEFT PILOT	NP61-*****	
	SOLENOID VALVE MONOSTABLE 3/2-5/2 LEFT PILOT NEMA 7	SV91-*****	
	PNEUMATIC VALVE MONOSTABLE 3/2-5/2 PNEUMATIC LEFT PILOT	NP61-*****	
		SOLENOID VALVE DUAL STABLE 3/2-5/2 PILOTS NEMA 4	SV61-*****
		SOLENOID VALVE DUAL STABLE 3/2-5/2 PILOTS EExi	SV71-*****
		SOLENOID VALVE DUAL STABLE 3/2-5/2 PILOTS EExm	SV81-*****
SOLENOID VALVE DUAL STABLE 3/2-5/2 PILOTS NEMA 7		SV91-*****	
PNEUMATIC VALVE DUAL STABLE 3/2-5/2 PNEUMATIC PILOTS		NP62-*****	
	SOLENOID VALVE DUAL STABLE 3/2-5/2 PILOTS NEMA 7	SV91-*****	
	PNEUMATIC VALVE DUAL STABLE 3/2-5/2 PNEUMATIC PILOTS	NP62-*****	
		SOLENOID VALVE MONOSTABLE 3/2-5/2 RIGHT PILOT NEMA 4	SV63-*****
		SOLENOID VALVE MONOSTABLE 3/2-5/2 RIGHT PILOT EExi	SV73-*****
		SOLENOID VALVE MONOSTABLE 3/2-5/2 RIGHT PILOT EExm	SV83-*****
SOLENOID VALVE MONOSTABLE 3/2-5/2 RIGHT PILOT NEMA 7		SV93-*****	
PNEUMATIC VALVE MONOSTABLE 3/2-5/2 PNEUMATIC RIGHT PILOT		NP63-*****	
	SOLENOID VALVE MONOSTABLE 3/2-5/2 RIGHT PILOT NEMA 7	SV93-*****	
	PNEUMATIC VALVE MONOSTABLE 3/2-5/2 PNEUMATIC RIGHT PILOT	NP63-*****	
		SOLENOID VALVE 3/3-5/3 CLOSED CENTERS PILOTS NEMA 4	S36C-*****
		SOLENOID VALVE 3/3-5/3 CLOSED CENTERS PILOTS EExi	S37C-*****
		SOLENOID VALVE 3/3-5/3 CLOSED CENTERS PILOTS EExm	S38C-*****
SOLENOID VALVE 3/3-5/3 CLOSED CENTERS PILOTS NEMA 7		S39C-*****	
PNEUMATIC VALVE 3/3-5/3 CLOSED CENTERS PNEUMATIC PILOTS		NP3C-*****	
	SOLENOID VALVE 3/3-5/3 CLOSED CENTERS PILOTS NEMA 7	S39C-*****	
	PNEUMATIC VALVE 3/3-5/3 CLOSED CENTERS PNEUMATIC PILOTS	NP3C-*****	
		SOLENOID VALVE 5/3 OPENED CENTERS PILOTS NEMA 4	S36A-*****
		SOLENOID VALVE 5/3 OPENED CENTERS PILOTS EExi	S37A-*****
		SOLENOID VALVE 5/3 OPENED CENTERS PILOTS EExm	S38A-*****
SOLENOID VALVE 5/3 OPENED CENTERS PILOTS NEMA 7		S39A-*****	
PNEUMATIC VALVE 5/3 OPENED CENTERS PNEUMATIC PILOTS		NP3A-*****	
	SOLENOID VALVE 5/3 OPENED CENTERS PILOTS NEMA 7	S39A-*****	
	PNEUMATIC VALVE 5/3 OPENED CENTERS PNEUMATIC PILOTS	NP3A-*****	
		SOLENOID VALVE 5/3 CENTERS IN PRESSURE PILOTS NEMA 4	S36P-*****
		SOLENOID VALVE 5/3 CENTERS IN PRESSURE PILOTS EExi	S37P-*****
		SOLENOID VALVE 5/3 CENTERS IN PRESSURE PILOTS EExm	S38P-*****
SOLENOID VALVE 5/3 CENTERS IN PRESSURE PILOTS NEMA 7		S39P-*****	
PNEUMATIC VALVE 5/3 CENTERS IN PRESSURE PNEUMATIC PILOTS		NP3P-*****	
	SOLENOID VALVE 5/3 CENTERS IN PRESSURE PILOTS NEMA 7	S39P-*****	
	PNEUMATIC VALVE 5/3 CENTERS IN PRESSURE PNEUMATIC PILOTS	NP3P-*****	

# NAMUR SOLENÓIDE VALVE 3/2 & 5/2



DIMENSIONS IN INCHES

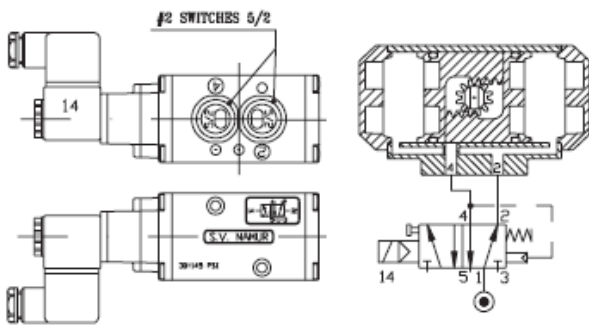


### TECHNICAL DATA

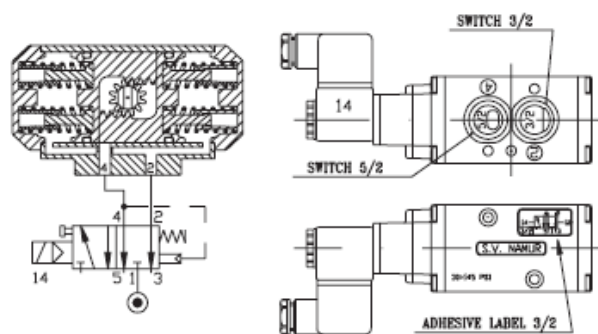
Standard voltages = 24 - 110 - 220V 50/60 Hz - 12 - 24V DC
Power input = 50/60 Hz inrush 7,5VA rated 5VA
Power input = DC 3W
Voltage tolerance = $\pm 10\%$
Coil insulation = class "F" ( for nylon coil )
Duty cycle = 100%
Protection class = NEMA 4, 4x with connector assembled
Air supply connection = 1/4" NPT
Operating pressure = min. 30 PSI - max. 145 PSI
Din connector 1/2" NPT
Flow factor = Cv 0.5
Max operating frequency = 600/1'
Room temperature limit = -4°F +158°F
Weight = 1.080 Lb

# DIFFERENT APPLICATIONS

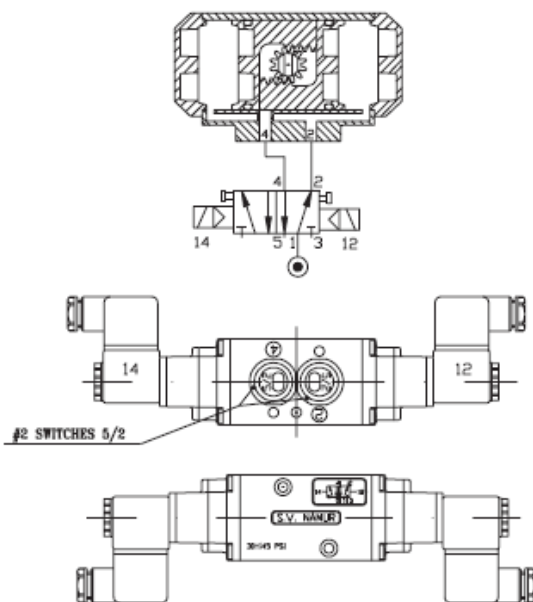
SV61 - 5/2 MONOSTABLE LEFT PILOT



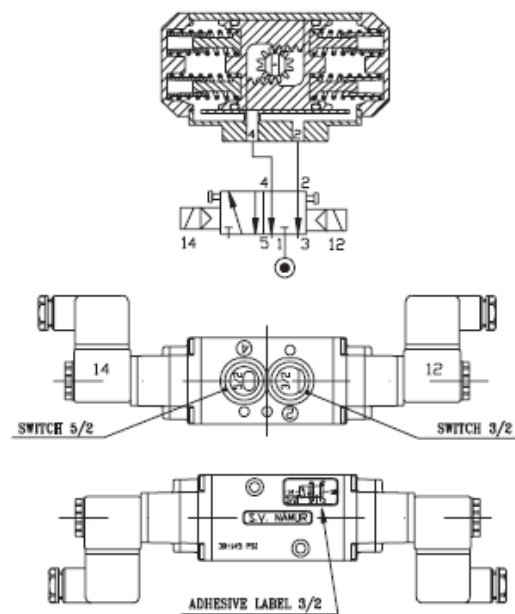
SV61 - 3/2 MONOSTABLE LEFT PILOT



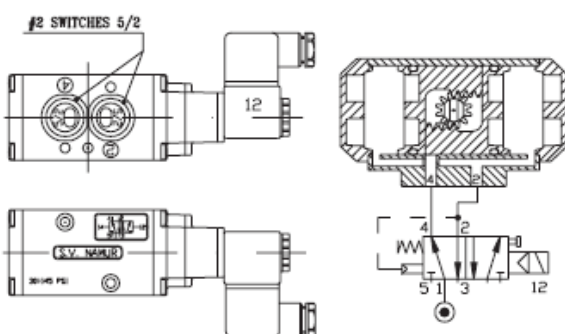
SV62 - 5/2 DUAL STABLE



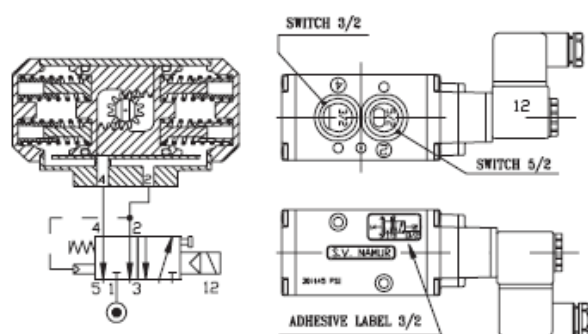
SV62 3/2 DUAL STABLE



SV63 - 5/2 - MONOSTABLE RIGHT PILOT



SV63 - 3/2 - MONOSTABLE RIGHT PILOT



Av. Francisco Prestes Maia, 902 - Sl. 121 - Centro - SBCampo - SP 09770-000  
 www.uniaobrasil.com.br vendas@uniaobrasil.com.br  
 Fone/Fax.: +55 11 4330-5534/ 4121-8388